

WENDLAND CONSERVATORY ENQUIRY FORM

Email all enquiries to: **sales@tcrderby.com**
 Tel: 01332 208206
 Fax back to: 01332 208204
 Text or WhatsApp: 07940438419



Company: _____
 Account No. _____
 Address: _____

 _____ Postcode: _____
 Tel: _____
 Fax: _____
 Mobile: _____
 Contact Name: _____
 Job Ref: _____

Requested delivery date: _____ / _____ / _____

Use the grid below to draw a sketch of your roof design giving your dimensions in **millimetres**

HOUSE WALL

All sizes are INTERNAL SILL

!! IMPORTANT !! Show down pipe position with Please indicate all walls (**where higher than frame**) and box gutters if required.

For any unsupported sections (e.g. Bi-fold doors) please send your full frame layout along with the roof drawing.

We will use 0.6kn/m² to calculate the snow loading on this roof unless a site postcode is supplied.

ROOF COLOUR

	EXTERNAL	INTERNAL
WHITE	<input type="checkbox"/>	<input type="checkbox"/>
Golden Oak	<input type="checkbox"/>	<input type="checkbox"/>
Cherrywood	<input type="checkbox"/>	<input type="checkbox"/>
Grey (7016)	<input type="checkbox"/>	<input type="checkbox"/>
Bespoke Colour		
External RAL*	_____	
Internal RAL*	_____	
*Bespoke colours have black gutter as standard. Please cross below if you require painted gutter		
Colour match gutter required*	<input type="checkbox"/>	

ROOF GLAZING

- Unglazed
- Clear on Low 'E'
- Pilkington Active Clear*
- Pilkington Active Neutral*
- Pilkington Active Bronze*
- Pilkington Active Blue***
- Pilkington Active Aqua*
- Sunshade Active Blue*
- Ultra Grey*
- Satin Privacy*

Glass U-value

All of our glass is now supplied as standard with a 1.0 U-value at no additional charge to 1.2 U-value units. Please speak to our sales team for any special glass options you may require.

ROOF PITCH

Lean-to **5°** Other FRAME

Duo **27°** Other THICKNESS

*If a min/max height req, please state above

BOX GUTTER WIDTH - IF REQUIRED

165mm Gallows brackets req. (**not supplied**)
 For bracket size use box gutter width plus any soffit detail.

265mm Standard 165mm and 265mm brackets can be supplied on request.

ROOF VENTS - IF REQUIRED

Manual (Brass) Manual (Chrome)

Electric* (Switch operated)

Fully Automatic* (Rain sensor & Thermostat)

Motor Case* - White Black

PELMET/CORNICE

Required - Attach p/c form

OR

POLYCARBONATE

CLEAR Silver Opal

Bronze Bronze Opal

Opal Unglazed for poly

POLYCARBONATE GLAZING THICKNESS

32mm 25mm

CRESTING & FINIALS

Spike finial + std crest Spike finial only

Ball finial + std crest Ball finial only

No Crest or Finial - Ridge and radius end blanked

Upgrade tie bars (when required) to Tie-Wire

Other notes/extras:

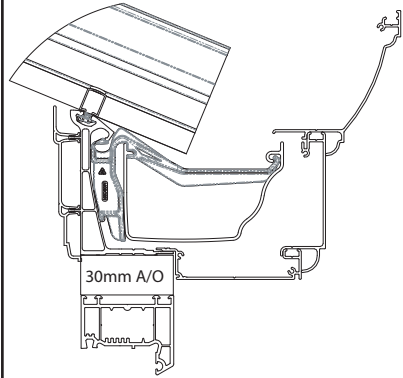
.....

.....

.....

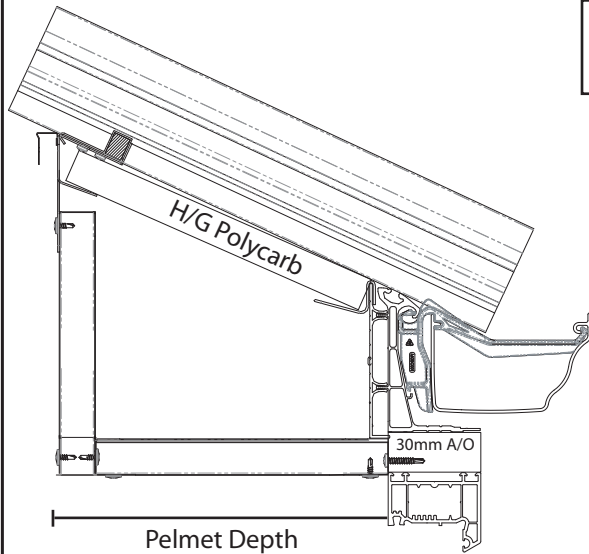
Please note: If none of the boxes are ticked we will take as **STANDARD**
 For further information please refer to our structural information guide.
 Our conditions of sale shall apply to the sale of the goods to the exclusion of all other terms, unless agreed in writing by TCR (Derby) Ltd.





Option 1 - External Cornice Only

Standard Eaves & Internal Clad
30mm Packer or Add On
Required as Shown (Not Supplied)



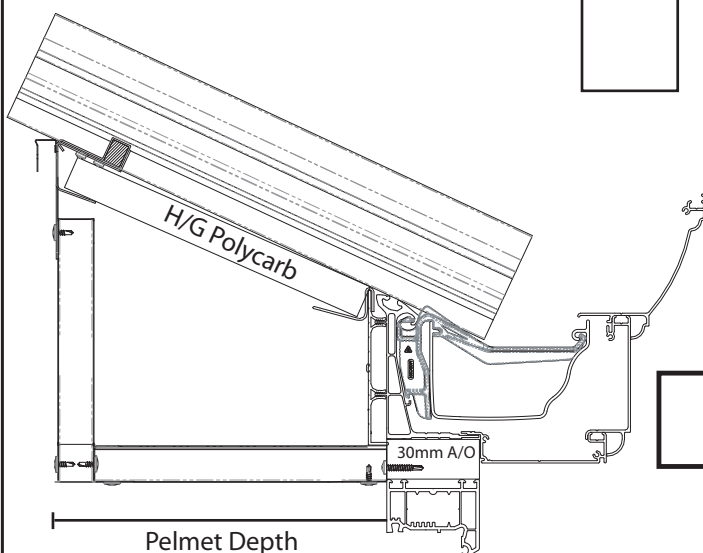
Option 2 - Internal Pelmet Only

Standard Eaves & Gutter
30mm Packer or Add On
Required as Shown (Not Supplied)
Plasterboard Not Supplied



Pelmet Depth Required

This will be applied to the main section and may vary depending on pitches.



Option 3 - Pelmet & Cornice

Standard Eaves
30mm Packer or Add On
Required as Shown (Not Supplied)
Plasterboard Not Supplied



Pelmet Depth Required

This will be applied to the main section and may vary depending on pitches.