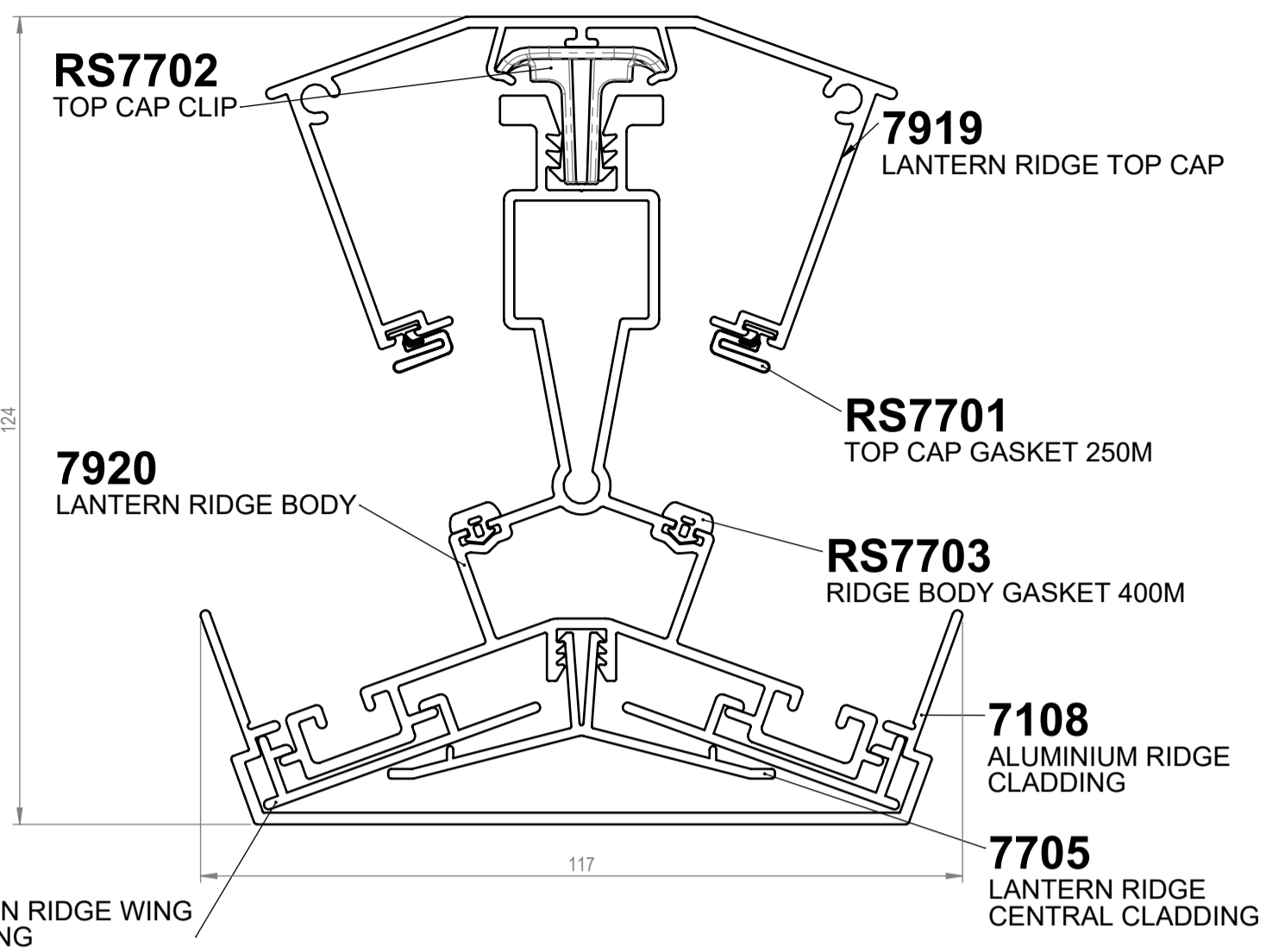
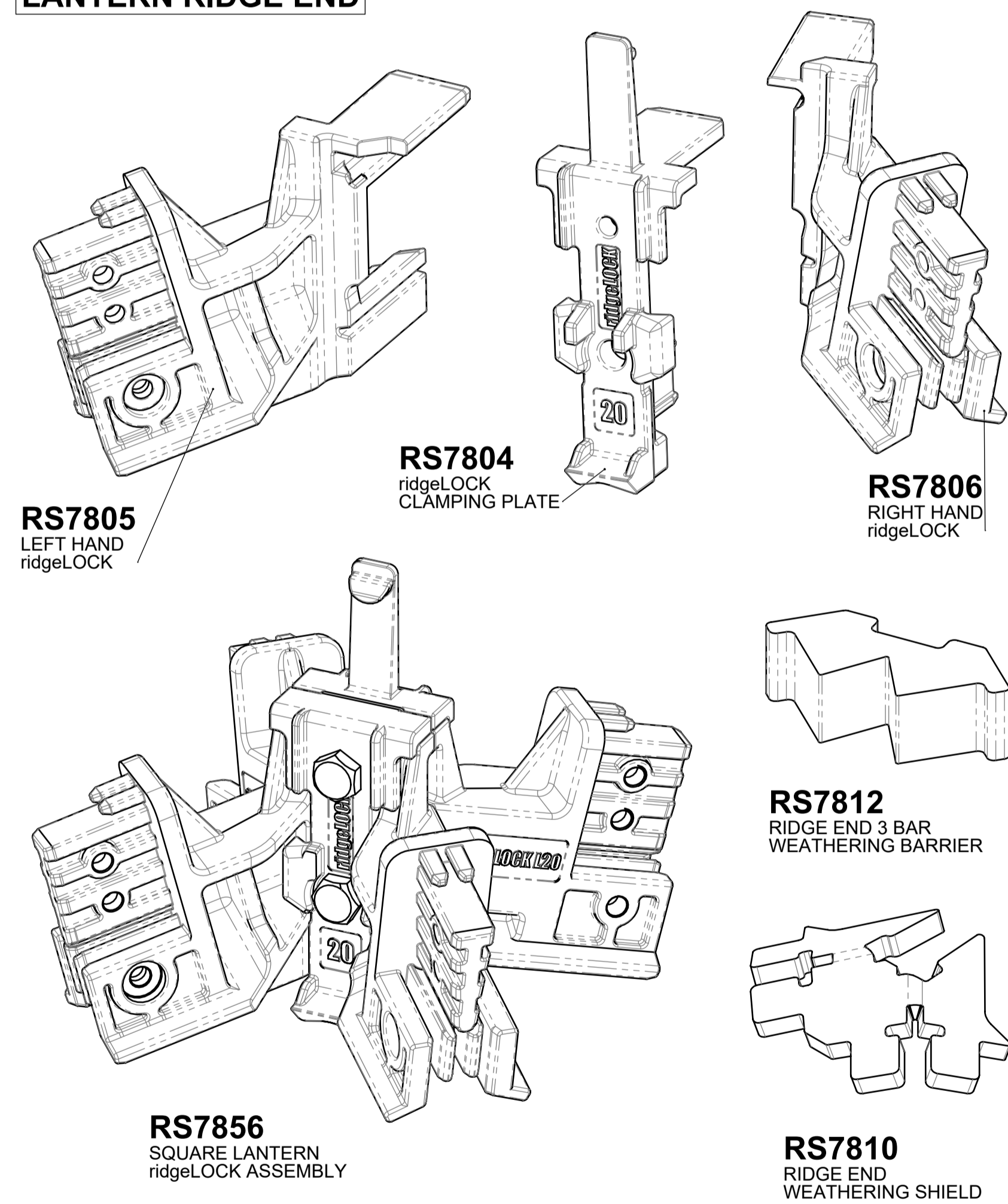


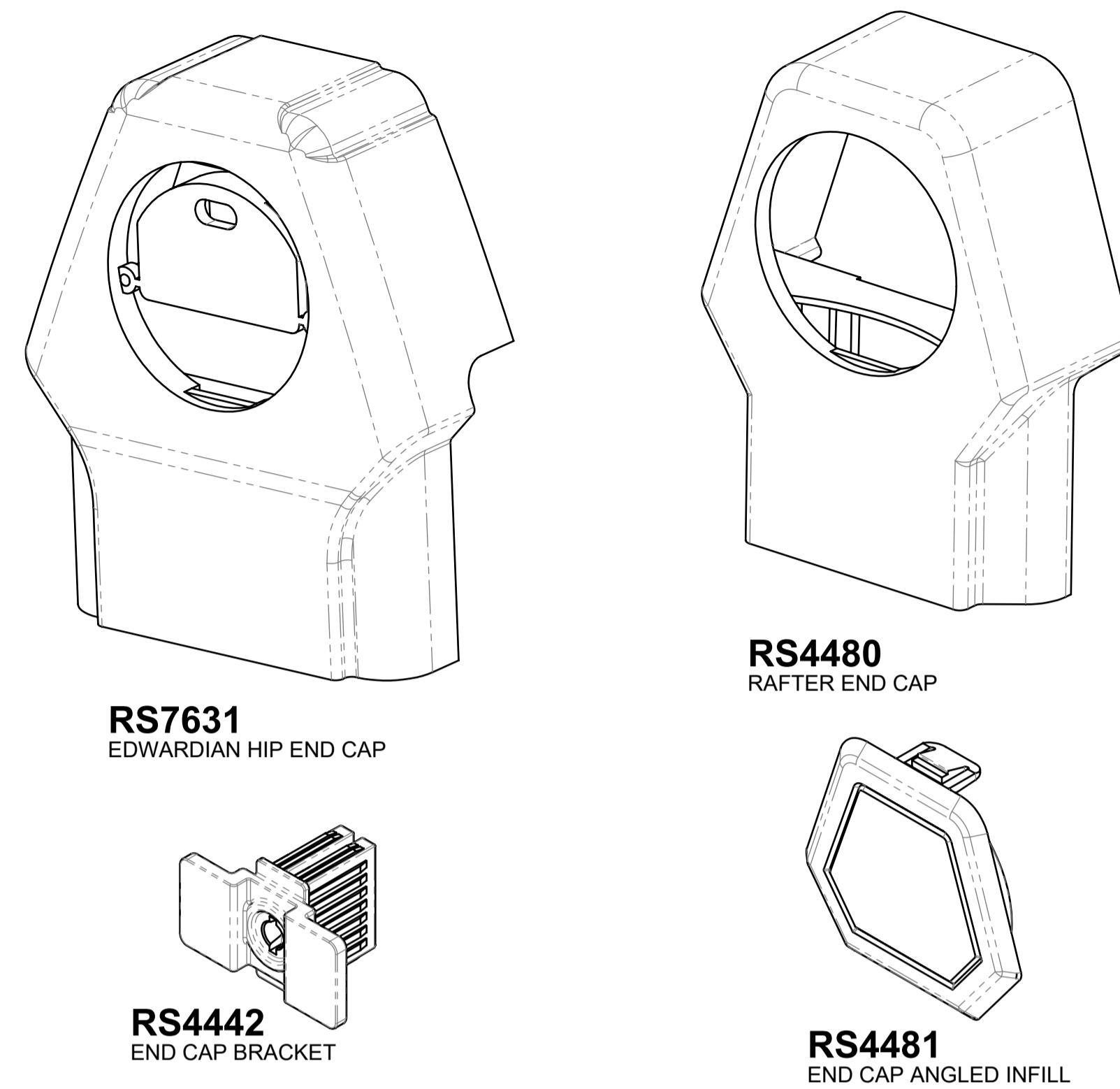
**LANTERN RIDGE**



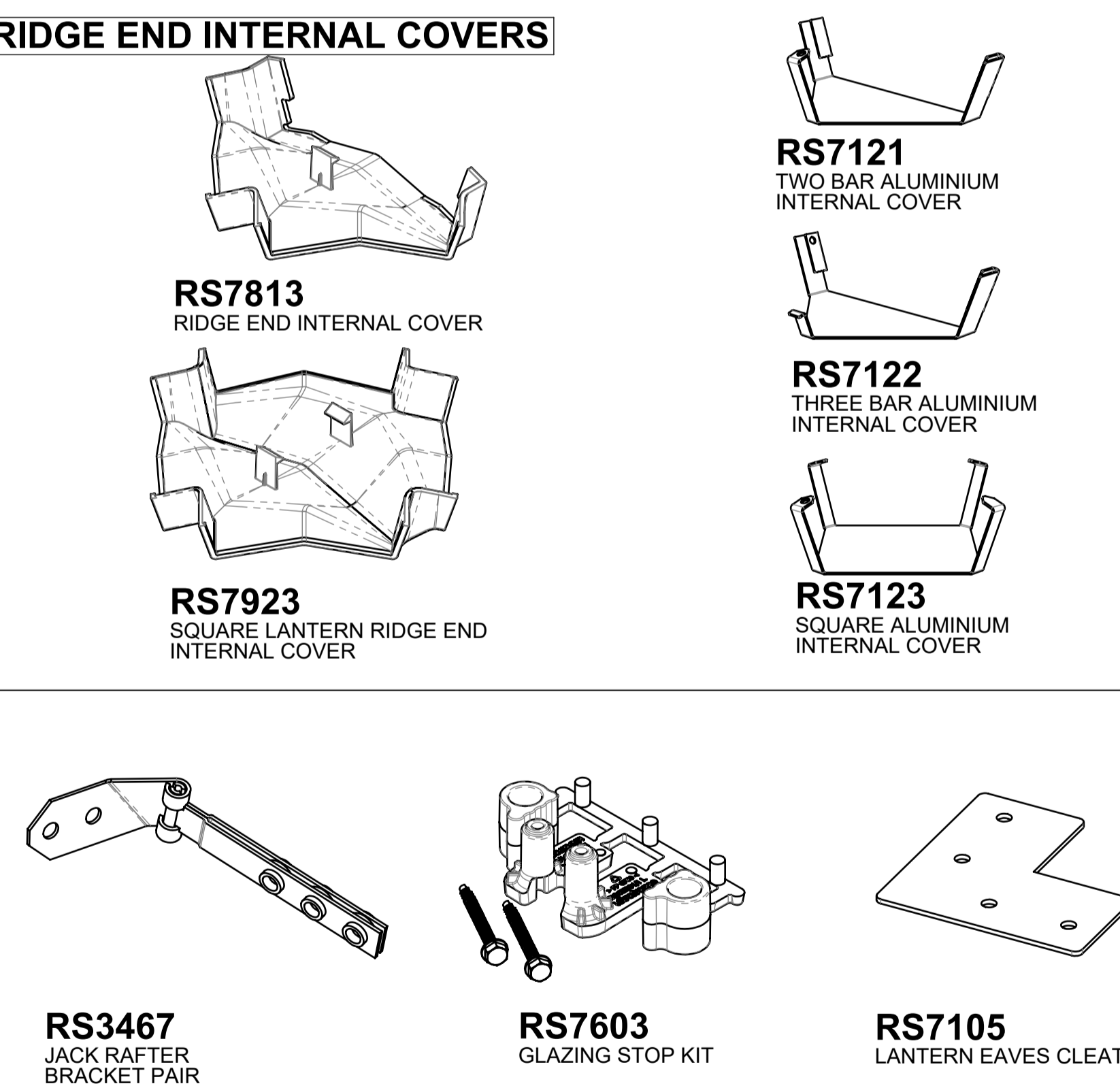
**LANTERN RIDGE END**



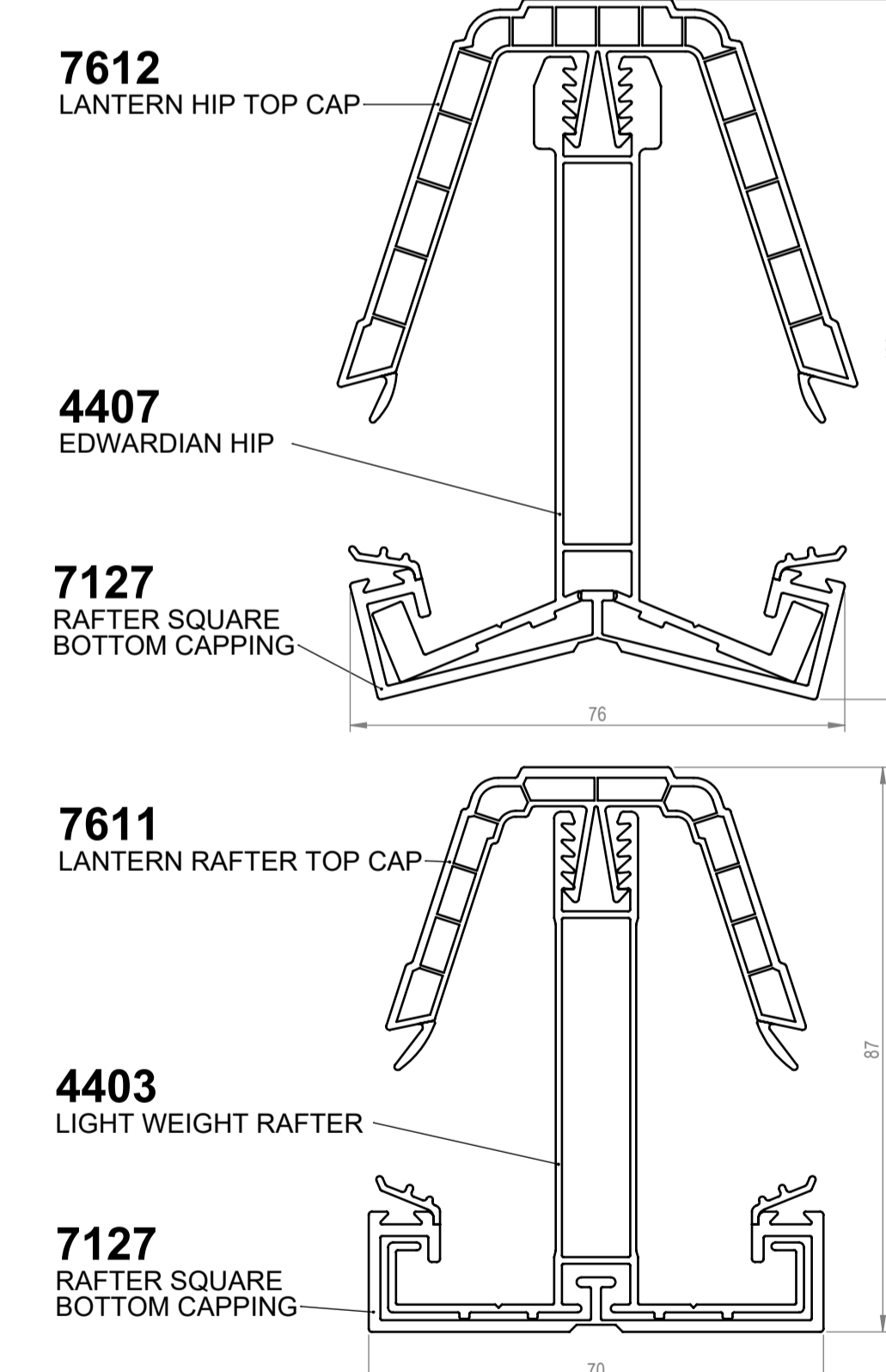
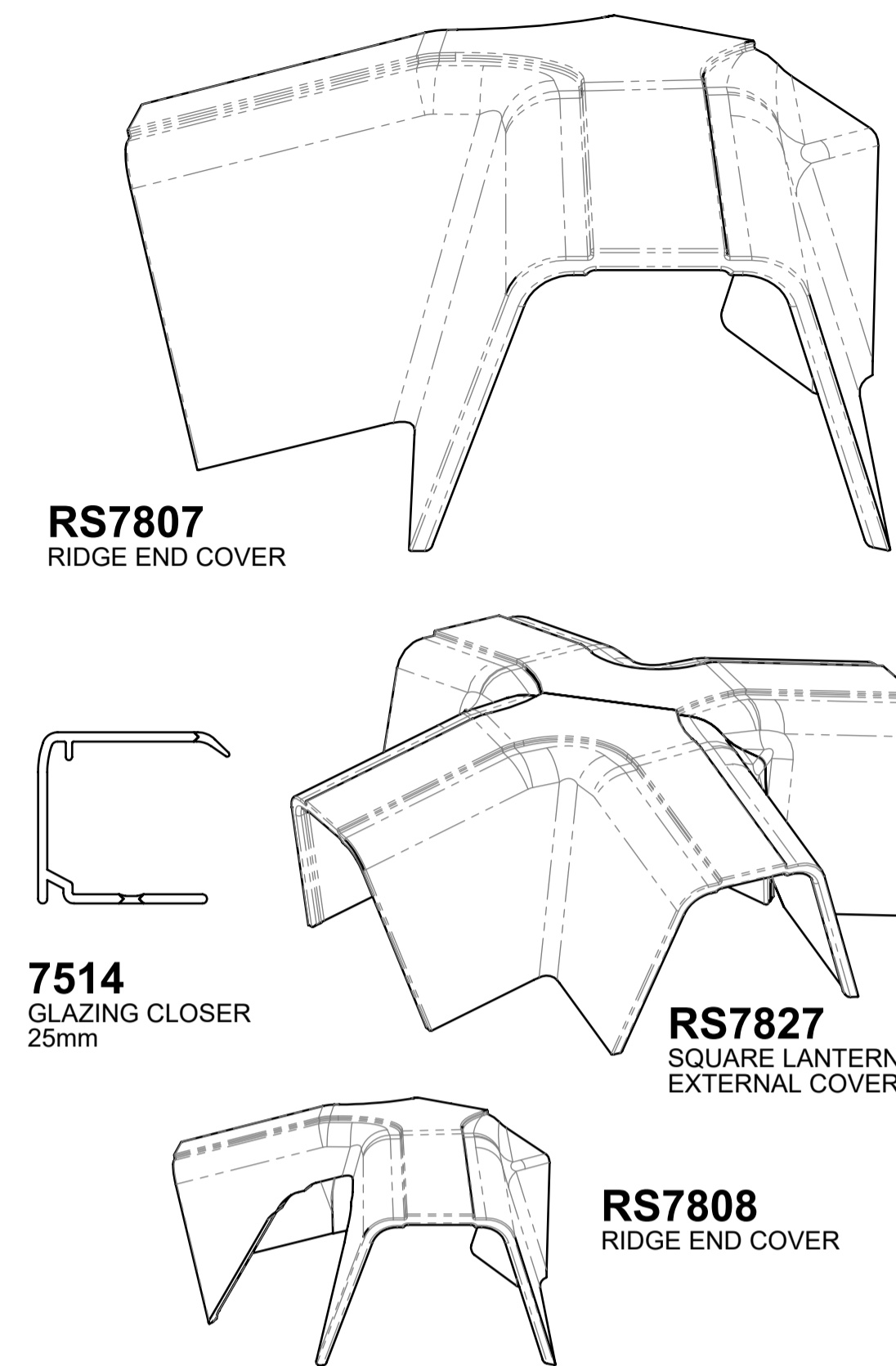
**RAFTER END CAPS**



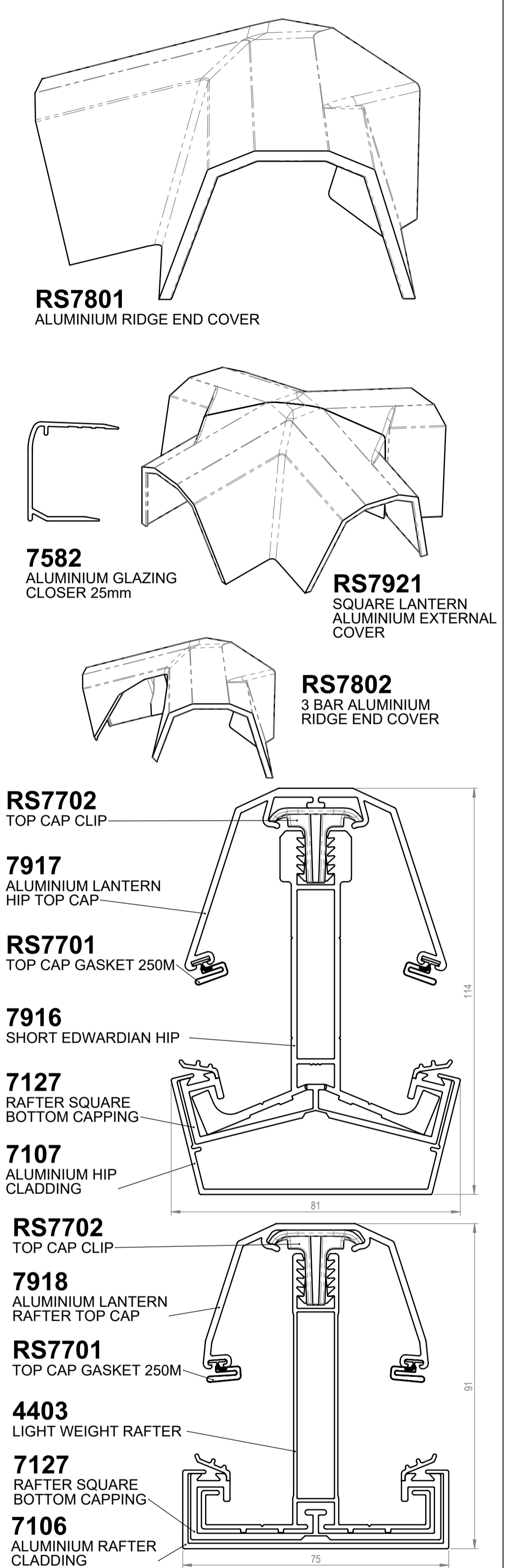
**RIDGE END INTERNAL COVERS**



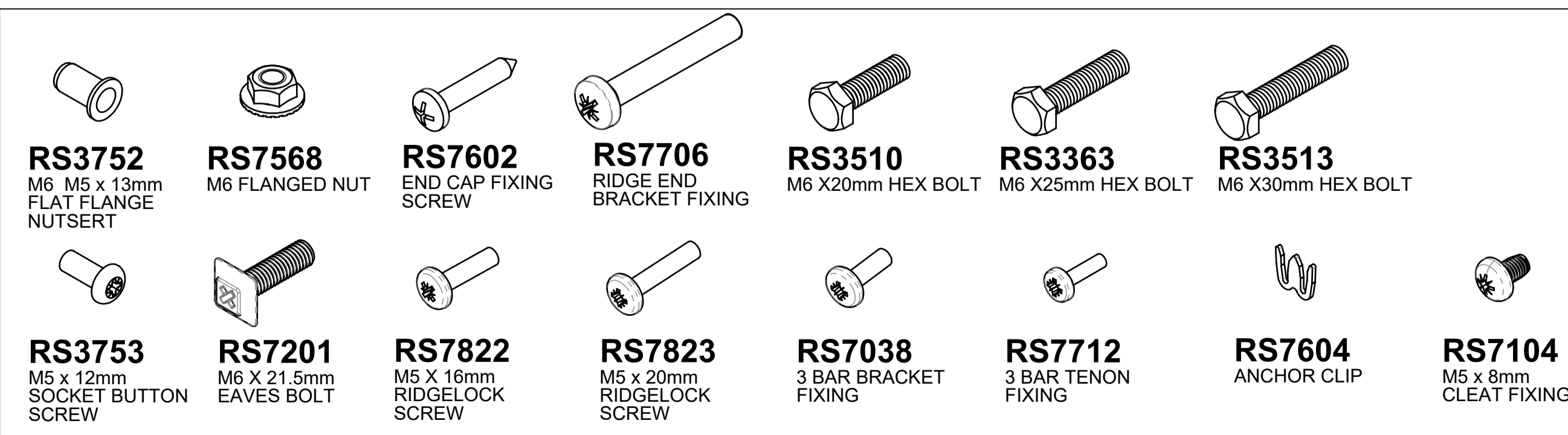
**PVC OPTIONS**



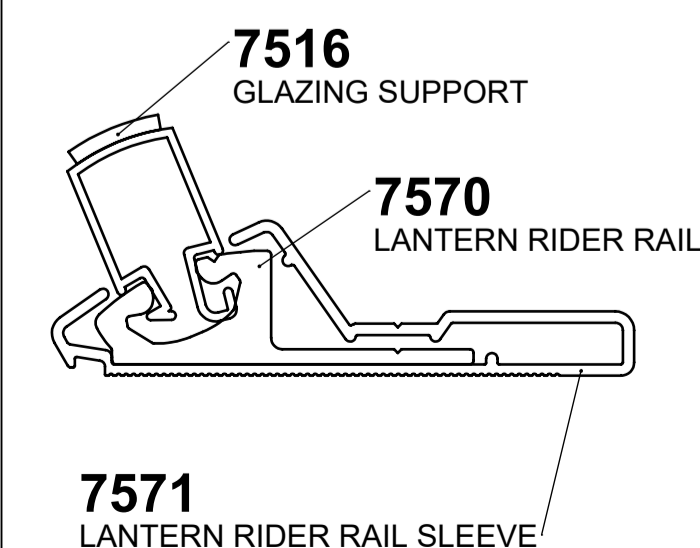
**ALUMINIUM OPTIONS**



**Component Identification Chart**  
13237\_REV\_L - WALL CHART



**LANTERN EAVES**



**THREE BAR ADAPTER**

